

# BAUMANN HX 30 - 50

Diesel and LPG

3 - 5 t Load Capacity



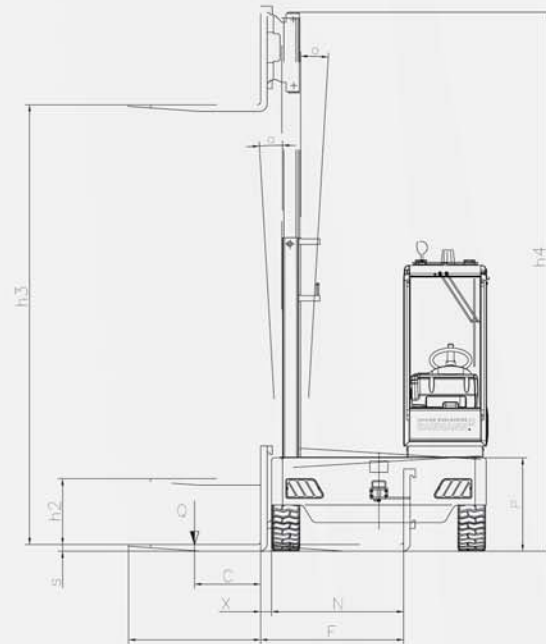
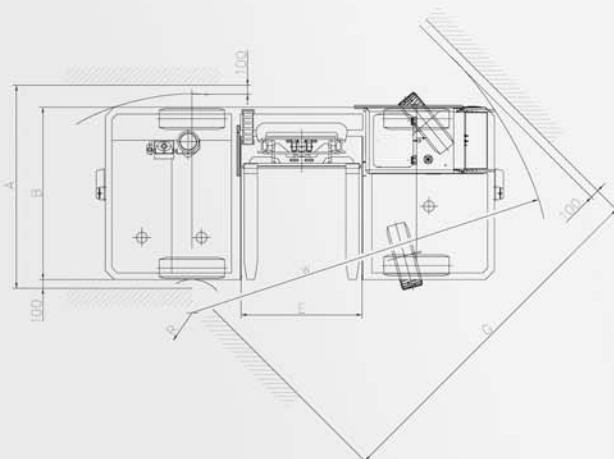
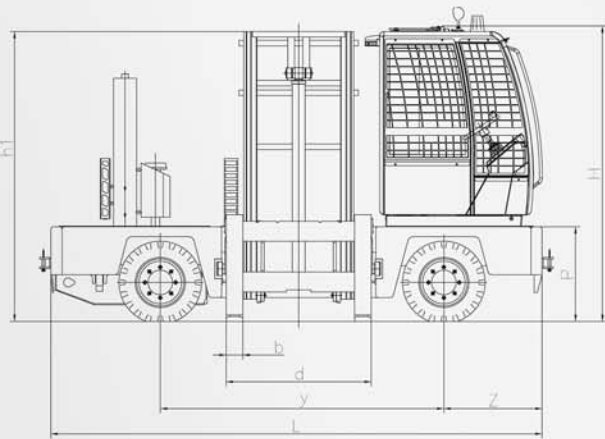
CAVAION SIDELOADERS  
**BAUMANN** 

MODEL	Series HX 30			Series HX 40		Series HX 50	
<b>Technical Data</b>							
Lifting capacity	Q	Kg	3000	4000	5000		
Load center	C	mm	600/700	600/700	600/700		
Fork length	l	mm	1200/1400	1200/1400	1200/1400		
Fork width	b	mm	150	150	150		
Fork thickness	s	mm	50	60	60		
Drive			Diesel	Diesel	Diesel		
Type of steering				hydrostatic			
Type of tyres				Pneumatic tyres			
<b>Dimensions</b>							
Total length	L	mm	4100	4100	4400		
Total width	B	mm	1950/2150	1950/2150	1950/2150		
Overall height mast lowered	h1	mm	2850	2850	2850		
Overall height mast extended	h4	mm	4880	4880	4880		
Cabine height	H	mm	2450	2450	2630		
Lift height	h3	mm	4000	4000	4000		
Free lift	h2	mm	600	600	600		
Inclination up/down		°	1200+4.5-3.5/1400+3.5-3.0		±3.5/±3.0		
Platform height	P	mm	830	830	850		
Platform width	N	mm	1200/1400	1200/1400	1200/1400		
Lateral movement	F	mm	1300/1500	1300/1500	1300/1500		
Load spacing max.	x	mm	100	100	100		
Framework cut	E	mm	1370	1370	1370		
Fork spacing max.	d	mm	1300	1300	1300		
Turning radius inner	R	mm	386	386	385		
Turning radius outer	W	mm	1200=3892/1400=4016		1200=4147/1400=4272		
Aisle width	A	mm	1200=2301/1400=2498		1200=2297/1400=2500		
Gradeability	G	mm	1200=3790/1400=3913		1200=4038/1400=4195		
<b>Performance</b>							
Travel with/without load		Km/h	20/22	20/22	19/22		
Lifting with/without load		m/s	0.3/0.35	0.3/0.35	0.3/0.35		
Lowering with/without load		m/s	0.4/0.35	0.4/0.35	0.4/0.35		
Traverse with/without load		m/s	0.3	0.3	0.3		
Tractive power		kN	16.2	16.2	17.5		
Gradeability		%	15%	15%	15/21%		
<b>Weights</b>							
Weight of truck		Kg	5800	6850	7600		
Axle load front		Kg	4255	5322	6186 ca.		
Axle load rear		Kg	4545	5528	6414 ca.		
<b>Chassis</b>							
Tyres front/rear			2/2	2/2	2/2		
Tyres size front/rear		Zoll	27 x 10-12	27 x 10-12	250-15		
Tyres outside diameter		mm	690	690	735		
Wheel base	Y	mm	2520	2520	2520		
Track front	Sp1	mm	1200 = 1615/1400=1815		1650/1850		
Track rear	Sp2	mm	1200 = 1635/1400=1835		1680/1880		
Ground clearance		mm	200	200	200		
Service brake	hydraulic			Front			
Parking brake	hydraulic			Drive Wheels			
<b>Drive</b>							
Diesel engine manufacturer			VM Detroit	VM Detroit	VM Detroit		
			754 E2	754 E2	754 E2		
Type 1104D-44 T		KW	47 kW/2300rpm	47 kW/2300rpm	47 kW/2300rpm		
Power		PS	55	55	55		
Speed		n/min	2300	2300	2300		
Cylinder / displacement		x/cm <sup>3</sup>	3/3100	3/3100	3/3100		
Transmission				direct			
Gearbox				hydrostatic			
Battery		V/Ah	12V 100Ah 640A	12V 100Ah 640A	12V 100Ah 640A		

# BAUMANN HX 30 - 50

A low platform height is a key benefit of the 3-5 tonne compact machines enabling operators easy access to the cab and, if needed, platform areas. Powerful engines and responsive handling are also inherent qualities of this popular range. With all BAUMANN products a comprehensive range of options are available to complement a generous standard specification.

<b>HX 30 - 50</b>	<b>Lift Height</b> h3 mm	<b>Lowered</b> h1 mm	<b>Extended</b> h4 mm	<b>Free Lift</b> h2 mm
<b>Duplex-Standardmast ST</b>	3300	2500	4180	600
	4000	2850	4880	600
	4500	3100	5380	600
	5000	3350	5880	600
	5500	3600	6380	600
	6000	3850	6880	600
<b>Duplex-Specialfreeliftmast SFH</b>	3300	2500	4180	1620
	4000	2850	4880	1970
	4500	3100	5380	2220
	5000	3350	5880	2470
	5500	3600	6380	2720
	6000	3850	6880	2970
<b>Triplex-Freeliftmast TR</b>	4500	2350	5380	1470
	5100	2550	5980	1670
	5400	2650	6280	1770
	5700	2750	6580	1870
	6000	2850	6880	1970
	6300	2950	7180	2070
	6600	3050	7480	2170
	6900	3150	7780	2270
	7200	3250	8080	2370



## BAUMANN SIDELOADERS – THE ORIGINAL SIDELOADER FROM CAVAION

For 40 years, the BAUMANN name has been synonymous with production of high quality, high specification sideloaders. The Company adopts a policy of continuous improvement and embraces new technology as and when it comes available to the benefit of our customers and distribution partners. The extended BAUMANN network



of distributors and service partners have been specifically selected for their professionalism and adoption of the consultative approach taken centrally by the BAUMANN Company.



Design Storage & Handling, Inc.  
3608 Loren Whitney Dr.  
Fredericksburg, VA 22408

1-800-548-2839  
540-898-8636  
[www.designstorage.com](http://www.designstorage.com)

CAVAION SIDELOADERS  
**BAUMANN** 

BAUMANN S.r.l.  
I-37010 CAVAION (Verona)  
Via Palesega, 1  
Telephone +39 045 6 20 53 11  
Fax +39 045 6 20 53 55  
[info@baumann-online.it](mailto:info@baumann-online.it)  
[www.baumann-online.it](http://www.baumann-online.it)